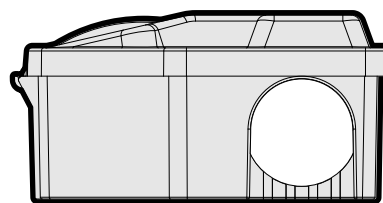
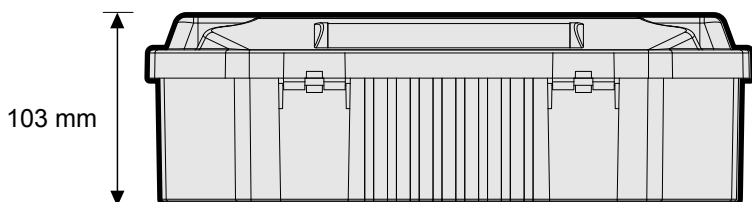
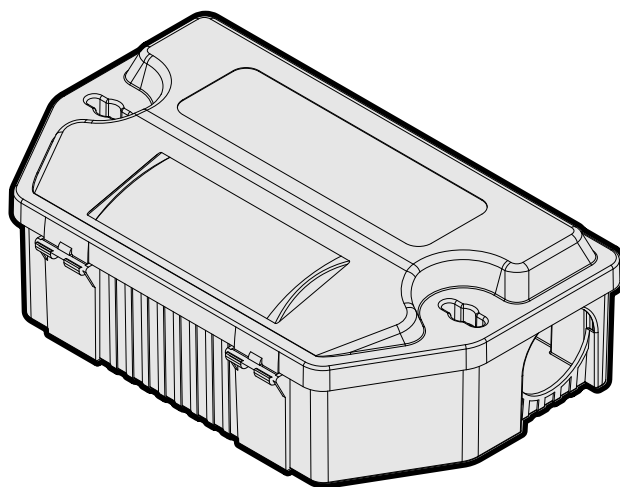
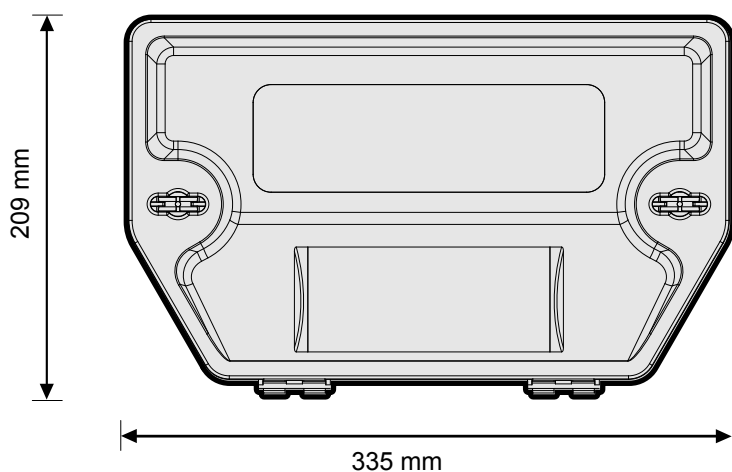


# Product Data Sheet

Information contained within this data sheet is provided as a guide only.  
Aegis Research withhold the right to make ammendments to product details  
without notice and accept no liability caused through the use of this data.

## AegisMini™

NOT TO SCALE



### At a glance.

Overall footprint: 209 x 335 mm  
Material: Durable polypropylene.

Aegis unique secure barbed locking mechanism.

The Aegis' unique hinge system can operate in temperatures down to -20°F.

### Placement & fixing.

It is recommended that units be placed every 6-10m in areas showing rodent activity.

Positioned punch-out to allow for fixing against a wall.

### Additional.

Accepts a variety of bait types.

Own label insert option.

Clear-lidded option allows for fast and efficient inspection.